

**LED Digital Pressure Gauge & Switch**



**GENERAL**

TD-3500 is microprocessor based multi-functional LED digital pressure gauge and switch which features high speed digital comparator, peak hold switchable function. Pneumatic instruments require more fast pressure variation than hydraulic, so thank to high performance, reliability and optional analog output. TD-3500 can be widely used for many applications in industrial processes.

**FEATURES**

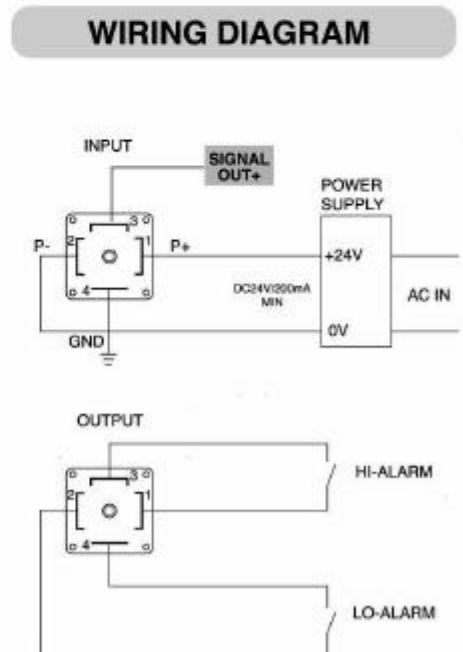
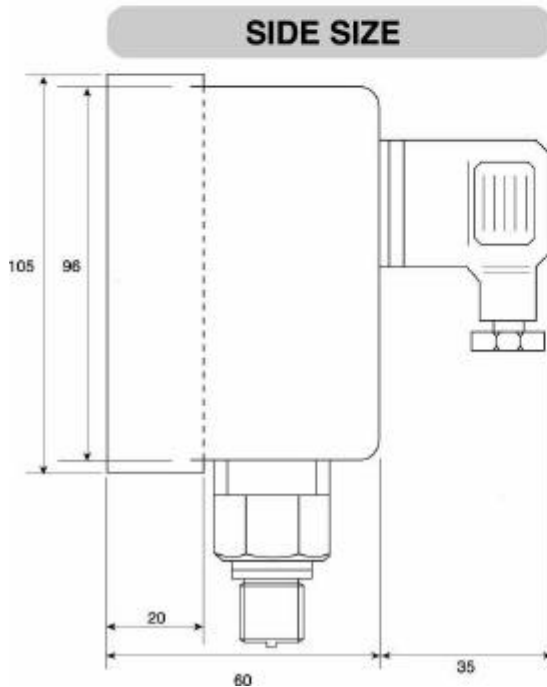
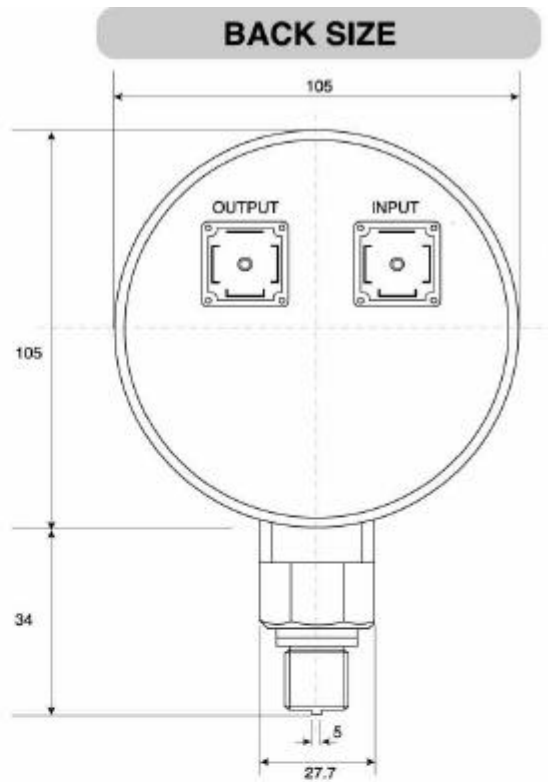
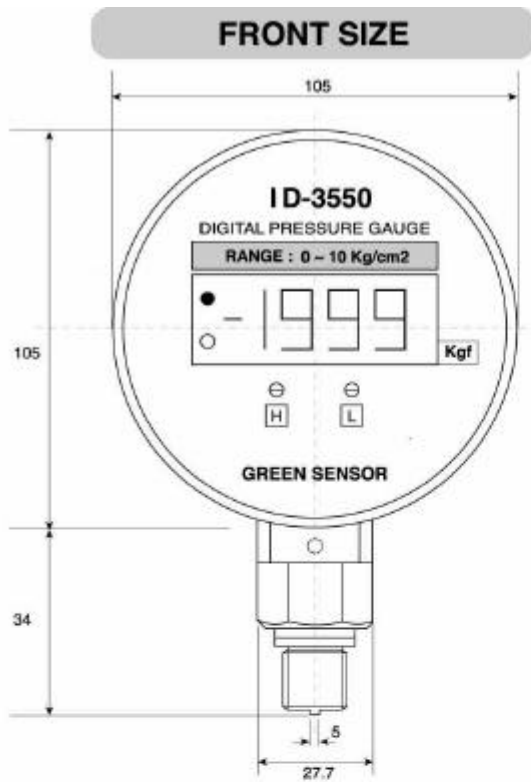
- High durability, stability as sensing element use semiconductor gage.
- Very sensible for gas, liquid (water, oil).
- Wide Range, -1~3kg/cm<sup>2</sup> to 0~1000 kg/cm<sup>2</sup>.
- Selectable for comparator or analog output, and easily settable for high, low, differential within 10msec of high speed response.
- Built-in battery stores data when power off.
- For 3-1/2LED to monitor in night is suitable.
- Many types of engineering unit and peak hold function is available in option.
- Option Mounting : A, D, BD type

**DESCRIPTION**

Model	TYPE	CONNECTION	PRESSURE RANGE	SPECIFICATION
TD-3500	DISPLAY ALARM	PF 1/4	0 ~ 3 kg f/cm <sup>2</sup>	? Maximum Pressure : 2 times of nominal range. (But 1.5times for 350kg f/cm <sup>2</sup> , 500kg f/cm <sup>2</sup> , 1.2times for 700 kg f/) ? Accuracy : 0.5% F.S.± 1digit. ? Temperature : 14+0.05% F.S./ (accuracy ± 0.5% F.S.) (Zero, Span) ? Power : 24 V DC, AC 110~220V (Option) ? Display : 3-1/2 LED(number height 14.2mm) ? Cycle : approx. 0.2sec. ? Output : (either one of followings) . Relay Output .... single 2 contact . Response Time .... within10msec . Electrical Rating .... 110VAC 0.2A(resistance load) . High limit, Low limit, Diff contact .... Working point within output range . Analog output .... 4~20mA DC or 1~5VDC(standard) . Responding .... Within 1msec . Resistance load: .... 40? Max. (current output) 10? Min (voltage output) ? Option (For more details, Please contact factory.) 1) Pick hold function 2) Comparator output 3) Dual unit display 4) 0~ 10 V outut ? Working Temperature : 0 ~ 50 ? Storage Temperature : -20 ~ 70 ? Material : Wetted Part .... SUS316. NER. Case .... Aluminum ? Weight : approx 400g
		PF 3/8	~ 5	
		PF 1/2	~ 20	
TD-3550	DISPLAY ALARM OUTPUT	PT 1/4	~ 35	
		PT 3/8	~ 50	
		PT 1/2	~ 100	
			~ 200	
			~ 350	
			~ 500	
			~ 700	
			~ 1000	
			-1 ~ 3 kg f/cm <sup>2</sup>	
			~ 5	
			~ 10	
			~ 20	



**DIMENSION(mm)**



All specifications subject to change without prior notice.

Head Office : Rm201, #239-17, Poi-Dong, Gangnam-Gu, Seoul, Korea

<http://www.korins.com>

**KORINS**

[korins@korins.com](mailto:korins@korins.com)

TEL:82-2-780-4848 / FAX:82-2-780-1244

